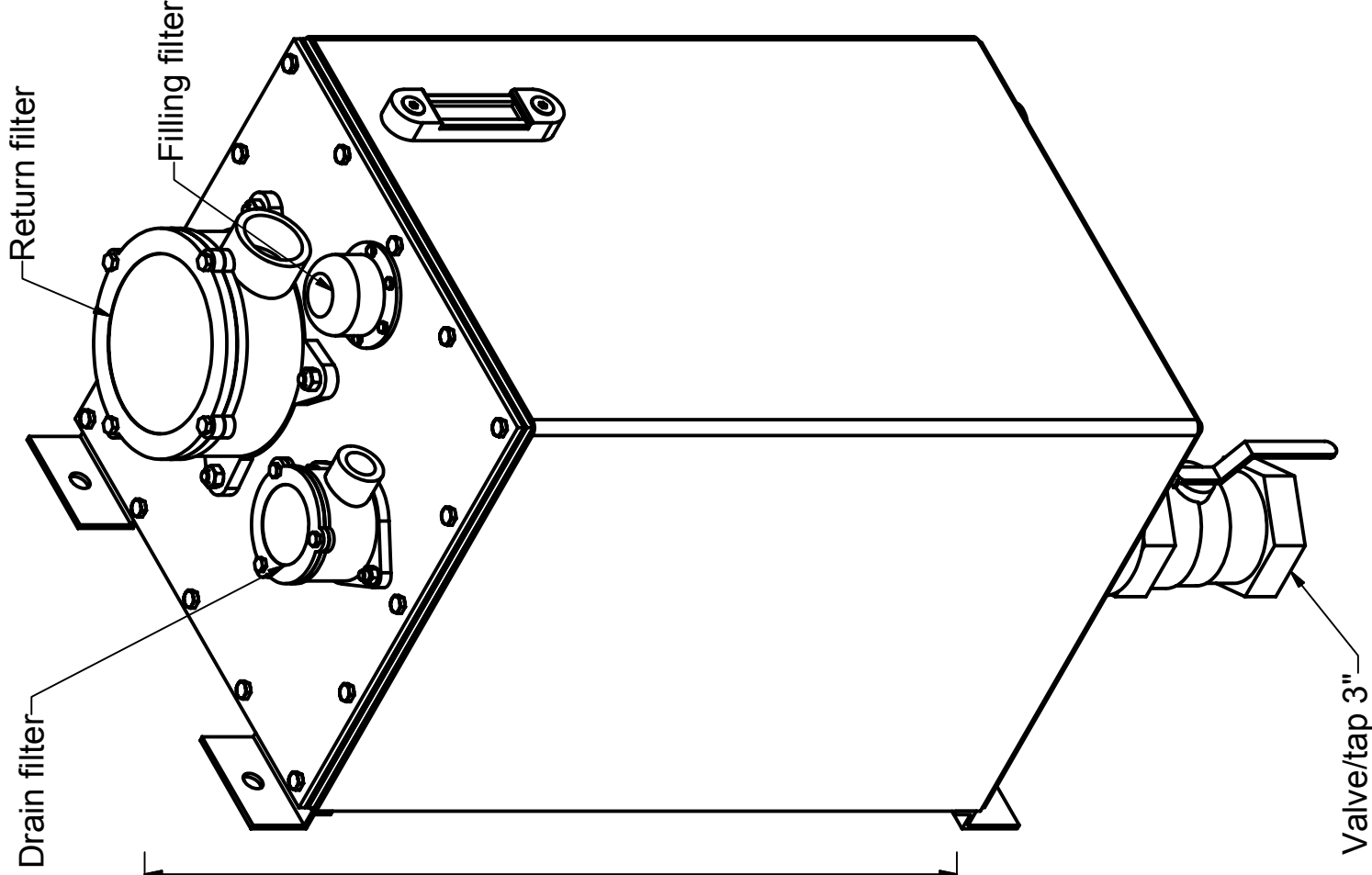


A (0,18 : 1)



|                     |            |                    |                    |
|---------------------|------------|--------------------|--------------------|
| Designed by<br>RSSS | Checked by | Approved by - date | Date<br>09.08.2005 |
|---------------------|------------|--------------------|--------------------|

**RAPP HYDEMA SYD**

---

**Oil Reservoir 100 liter**

Edition RSTNK100MÅL-60567

Sheet 1 / 1